

# WasteMaid<sup>®</sup>

## PRO

# 959

FOOD WASTE DISPOSER

### 3/4 HORSEPOWER

#### Easy and Fast to Install

Waste Maid PRO disposers feature Speed Master Mounting, an exclusive system that provides fast and economical installation.

#### Corrosion Proof

Waste Maid PRO models carry a lifetime warranty against failure due to corrosion.

#### Permanent Magnet Motors

Waste Maid PRO motors offer maximum torque instantly with the power to cut through potential jams.

#### Removable Splash Guard

All Waste Maid PRO continuous feed models have a removable splash guard, ideal for easy cleaning and replacement.



**BIO SHIELD**  
(Antimicrobial)  
for **ODOR PROTECTION!**  
Disposers are treated with an antimicrobial agent molded inside providing protection against odor causing bacteria growth.

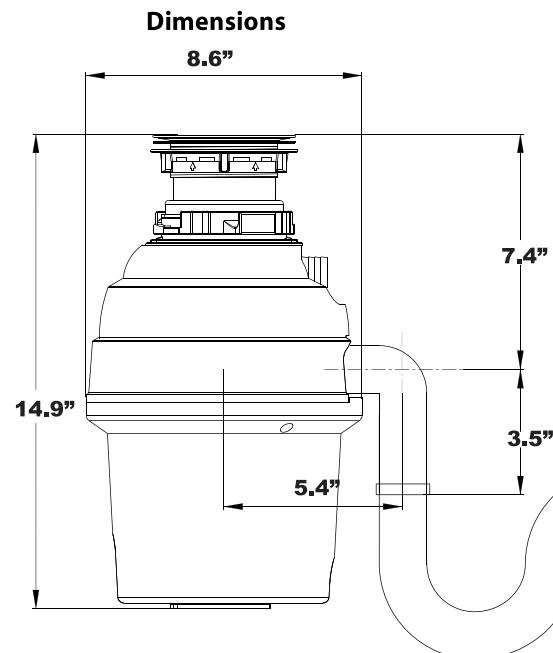


**Silver Guard**  
The magnetic Silver Guard captures most metal objects before they enter into the disposer chamber. This protective feature helps prevent damage to valuable cutlery. It also helps prevent damage to the disposer as well as expensive repairs caused by metal objects falling into the disposer.

<b>HORSEPOWER</b>	3/4 HP
<b>MOTOR SPEED RPM</b>	2700 RPM
<b>VOLTAGE</b>	120v
<b>AMPS</b>	6
<b>CYCLES</b>	60
<b>BEARINGS</b>	Permanently Lubricated, Sleeve Type
<b>MOTOR TYPE</b>	Permanent Magnet
<b>SPLASH GUARD</b>	Removable
<b>GRIND RING</b>	Stainless Steel
<b>SWIVEL IMPELLERS</b>	Cast Stainless Steel
<b>BALANCED TURNTABLE</b>	Stainless Steel
<b>BALANCED ARMATURE SHAFT</b>	Yes
<b>HOPPER</b>	Corrosion Proof
<b>DRAIN HOUSING</b>	Corrosion Proof
<b>APPLIANCE PROTECTOR</b>	Manual Reset
<b>SINK FLANGE CAP</b>	Stainless Steel
<b>MOUNT ASSEMBLY</b>	Speed Master-Threaded
<b>SOUND SHELL</b>	Full
<b>ATTACHED POWER CORD</b>	Yes
<b>DISHWASHER CONNECTION</b>	Yes
<b>UNIT WEIGHT</b>	12.4 lb
<b>INDIVIDUAL SHIPPING WEIGHT</b>	15 lb
<b>LIFETIME CORROSION GUARANTEE</b>	Yes
<b>WARRANTY</b>	10 Years



The **TORQUE MASTER Grinding System** is a combination of computer designed and balanced components working in unison to provide superior torque grind speed and long system life.



### Joneca Corporation

4332 E. La Palma Avenue, Anaheim, California 92807  
Telephone: 714.993.5997 Fax: 714.993.2126 Toll Free 1-888-8Joneca  
Website: [www.Joneca.com](http://www.Joneca.com) Email: [ContactUs@Joneca.com](mailto:ContactUs@Joneca.com)

©2017 Joneca Corporation, All Rights Reserved.

SS-959-171