

# WasteMaid®

FOOD WASTE DISPOSER

# PRO

# 459

1/3 HORSEPOWER



**Easy and Fast to Install**

Speed Master Mounting System provides fast and economical installation.

**Corrosion Proof**

Lifetime warranty against failure due to corrosion.

**Permanent Magnet Motor**

Maximum torque instantly with the power to cut through potential jams.

**Removable Splash Guard**

Removable splash guard, ideal for easy cleaning and replacement.

**Attached Power Cord**

Ready to plug in.



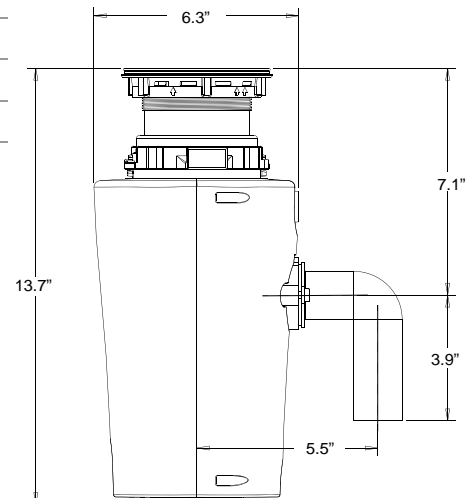
**BIO SHIELD® Antimicrobial for ODOR PROTECTION!**  
Disposers are treated with an antimicrobial agent molded inside providing protection against odor causing bacteria growth.



**TORQUE MASTER®**  
*Balanced Grinding System.*  
A combination of computer designed and balanced components working in unison to provide superior torque grind speed and long system life.

<b>HORSEPOWER</b>	1/3 HP
<b>MOTOR SPEED RPM</b>	2400 RPM
<b>VOLTAGE</b>	120v
<b>AMPS</b>	3
<b>CYCLES</b>	60
<b>BEARINGS</b>	Permanently Lubricated, Sleeve Type
<b>MOTOR TYPE</b>	Permanent Magnet
<b>SPLASH GUARD</b>	Removable
<b>GRIND RING</b>	Stainless Steel
<b>SWIVEL IMPELLERS</b>	Stamped Stainless Steel
<b>BALANCED TURNTABLE</b>	Stainless Steel
<b>BALANCED ARMATURE SHAFT</b>	Yes
<b>HOPPER</b>	Corrosion Proof
<b>DRAIN HOUSING</b>	Corrosion Proof
<b>APPLIANCE PROTECTOR</b>	Manual Reset
<b>SINK FLANGE CAP</b>	Stainless Steel
<b>MOUNT ASSEMBLY</b>	Speed Master-Threaded
<b>SOUND SHELL</b>	Full
<b>ATTACHED POWER CORD</b>	Yes
<b>DISHWASHER CONNECTION</b>	Yes
<b>UNIT WEIGHT</b>	8.3 lb
<b>INDIVIDUAL SHIPPING WEIGHT</b>	9.6 lb
<b>LIFETIME CORROSION GUARANTEE</b>	Yes
<b>WARRANTY</b>	5 Years

*Dimensions*



**Joneca Company, LLC**

4332 E. La Palma Avenue, Anaheim, California 92807  
Telephone: 714.993.5997 Fax: 714.993.2126 Toll Free 1-888-8Joneca  
Website: [www.Joneca.com](http://www.Joneca.com) Email: [ContactUs@Joneca.com](mailto:ContactUs@Joneca.com)

©2017 Joneca Company, LLC, All Rights Reserved.

SS-459-231

# WasteMaid®

FOOD WASTE DISPOSER

# PRO

# 659

1/2 HORSEPOWER



### Easy and Fast to Install

Speed Master Mounting System provides fast and economical installation.

### Corrosion Proof

Lifetime warranty against failure due to corrosion.

### Permanent Magnet Motor

Maximum torque instantly with the power to cut through potential jams.

### Removable Splash Guard

Removable splash guard, ideal for easy cleaning and replacement.

### Attached Power Cord

Ready to plug in.



### BIO SHIELD® Antimicrobial for ODOR PROTECTION!

Disposers are treated with an antimicrobial agent molded inside providing protection against odor causing bacteria growth.

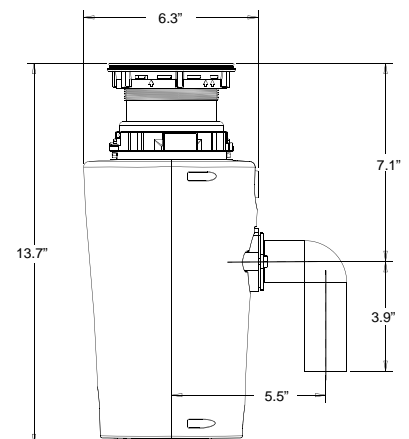


### TORQUE MASTER® Balanced Grinding System.

A combination of computer designed and balanced components working in unison to provide superior torque grind speed and long system life.

<b>HORSEPOWER</b>	1/2 HP
<b>MOTOR SPEED RPM</b>	2600 RPM
<b>VOLTAGE</b>	120v
<b>AMPS</b>	4.5
<b>CYCLES</b>	60
<b>BEARINGS</b>	Permanently Lubricated, Sleeve Type
<b>MOTOR TYPE</b>	Permanent Magnet
<b>SPLASH GUARD</b>	Removable
<b>GRIND RING</b>	Stainless Steel
<b>SWIVEL IMPELLERS</b>	Stamped Stainless Steel
<b>BALANCED TURNTABLE</b>	Stainless Steel
<b>BALANCED ARMATURE SHAFT</b>	Yes
<b>HOPPER</b>	Corrosion Proof
<b>DRAIN HOUSING</b>	Corrosion Proof
<b>APPLIANCE PROTECTOR</b>	Manual Reset
<b>SINK FLANGE CAP</b>	Stainless Steel
<b>MOUNT ASSEMBLY</b>	Speed Master-Threaded
<b>SOUND SHELL</b>	Full
<b>ATTACHED POWER CORD</b>	Yes
<b>DISHWASHER CONNECTION</b>	Yes
<b>UNIT WEIGHT</b>	8.9 lb
<b>INDIVIDUAL SHIPPING WEIGHT</b>	10.1 lb
<b>LIFETIME CORROSION GUARANTEE</b>	Yes
<b>WARRANTY</b>	6 Years

### Dimensions



**Joneca Company, LLC**

4332 E. La Palma Avenue, Anaheim, California 92807  
Telephone: 714.993.5997 Fax: 714.993.2126 Toll Free 1-888-8Joneca  
Website: [www.Joneca.com](http://www.Joneca.com) Email: [ContactUs@Joneca.com](mailto:ContactUs@Joneca.com)

©2017 Joneca Company, LLC, All Rights Reserved.

SS-659-231

# WasteAid®

FOOD WASTE DISPOSER

# PRO

# 759

1/2 HORSEPOWER



**Easy and Fast to Install**

Speed Master Mounting System provides fast and economical installation.

**Corrosion Proof**

Lifetime warranty against failure due to corrosion.

**Permanent Magnet Motor**

Maximum torque instantly with the power to cut through potential jams.

**Removable Splash Guard**

Removable splash guard, ideal for easy cleaning and replacement.

**Attached Power Cord**

Ready to plug in.



**BIO SHIELD® Antimicrobial for ODOR PROTECTION!**

Disposers are treated with an antimicrobial agent molded inside providing protection against odor causing bacteria growth.



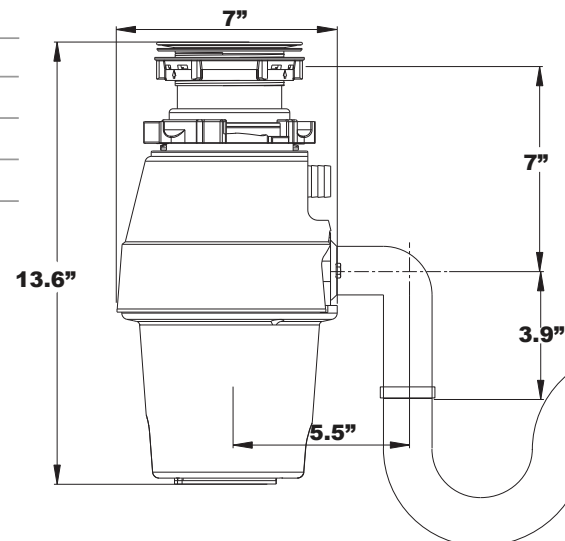
**TORQUE MASTER®**

**Balanced Grinding System:**

A combination of computer designed and balanced components working in unison to provide superior torque grind speed and long system life.

<b>HORSEPOWER</b>	1/2 HP
<b>MOTOR SPEED RPM</b>	2600 RPM
<b>VOLTAGE</b>	120v
<b>AMPS</b>	4.5
<b>CYCLES</b>	60
<b>BEARINGS</b>	Permanently Lubricated, Sleeve Type
<b>MOTOR TYPE</b>	Permanent Magnet
<b>SPLASH GUARD</b>	Removable
<b>GRIND RING</b>	Stainless Steel
<b>SWIVEL IMPELLERS</b>	Stamped Stainless Steel
<b>BALANCED TURNTABLE</b>	Stainless Steel
<b>BALANCED ARMATURE SHAFT</b>	Yes
<b>HOPPER</b>	Corrosion Proof
<b>DRAIN HOUSING</b>	Corrosion Proof
<b>APPLIANCE PROTECTOR</b>	Manual Reset
<b>SINK FLANGE CAP</b>	Stainless Steel
<b>MOUNT ASSEMBLY</b>	Speed Master-Threaded
<b>SOUND SHELL</b>	Full
<b>ATTACHED POWER CORD</b>	Yes
<b>DISHWASHER CONNECTION</b>	Yes
<b>UNIT WEIGHT</b>	10.2 lb
<b>INDIVIDUAL SHIPPING WEIGHT</b>	12 lb
<b>LIFETIME CORROSION GUARANTEE</b>	Yes
<b>WARRANTY</b>	6 Years

**Dimensions**



Joneca Company, LLC

4332 E. La Palma Avenue, Anaheim, California 92807  
 Telephone: 714.993.5997 Fax: 714.993.2126 Toll Free 1-888-8Joneca  
 Website: www.Joneca.com Email: ContactUs@Joneca.com

©2017 Joneca Company, LLC, All Rights Reserved.

SS-759-212

# WasteMaid®

FOOD WASTE DISPOSER

# PRO

SLIM LINE®

# 959-SL

3/4 HORSEPOWER



### Compact Design

Powerful 3/4 HP disposer that uses less space under the sink.

### Easy and Fast to Install

Speed Master Mounting System provides fast and economical installation.

### Corrosion Proof

Lifetime warranty against failure due to corrosion.

### Permanent Magnet Motor

Maximum torque instantly with the power to cut through potential jams.

### Removable Splash Guard

Removable splash guard, ideal for easy cleaning and replacement.

### Attached Power Cord

Ready to plug in.



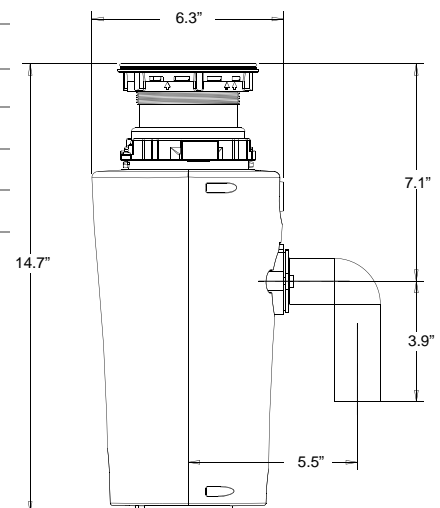
**BIO SHIELD® Antimicrobial for ODOR PROTECTION!**  
Disposers are treated with an antimicrobial agent molded inside providing protection against odor causing bacteria growth.



**TORQUE MASTER®**  
*Balanced Grinding System:*  
A combination of computer designed and balanced components working in unison to provide superior torque grind speed and long system life.

<b>HORSEPOWER</b>	3/4 HP
<b>MOTOR SPEED RPM</b>	2700 RPM
<b>VOLTAGE</b>	120v
<b>AMPS</b>	6
<b>CYCLES</b>	60
<b>BEARINGS</b>	Permanently Lubricated, Sleeve Type
<b>MOTOR TYPE</b>	Permanent Magnet
<b>SPLASH GUARD</b>	Removable
<b>GRIND RING</b>	Stainless Steel
<b>SWIVEL IMPELLERS</b>	Cast Stainless Steel
<b>BALANCED TURNTABLE</b>	Stainless Steel
<b>BALANCED ARMATURE SHAFT</b>	Yes
<b>HOPPER</b>	Corrosion Proof
<b>DRAIN HOUSING</b>	Corrosion Proof
<b>APPLIANCE PROTECTOR</b>	Manual Reset
<b>SINK FLANGE CAP</b>	Stainless Steel
<b>MOUNT ASSEMBLY</b>	Speed Master-Threaded
<b>SOUND SHELL</b>	Full
<b>ATTACHED POWER CORD</b>	Yes
<b>DISHWASHER CONNECTION</b>	Yes
<b>UNIT WEIGHT</b>	10.5 lb
<b>INDIVIDUAL SHIPPING WEIGHT</b>	11.7 lb
<b>LIFETIME CORROSION GUARANTEE</b>	Yes
<b>WARRANTY</b>	10 YEARS

### Dimensions



**Joneca Company, LLC**

4332 E. La Palma Avenue, Anaheim, California 92807  
Telephone: 714.993.5997 Fax: 714.993.2126 Toll Free 1-888-8Joneca  
Website: [www.Joneca.com](http://www.Joneca.com) Email: [ContactUs@Joneca.com](mailto:ContactUs@Joneca.com)

©2017 Joneca Company, LLC, All Rights Reserved.

55-959-SL-231



# WasteAid®

FOOD WASTE DISPOSER

# PRO

# 959

3/4 HORSEPOWER



### Easy and Fast to Install

Speed Master Mounting System provides fast and economical installation.

### Corrosion Proof

Lifetime warranty against failure due to corrosion.

### Permanent Magnet Motor

Maximum torque instantly with the power to cut through potential jams.

### Removable Splash Guard

Removable splash guard, ideal for easy cleaning and replacement.

### Attached Power Cord

Ready to plug in.



### BIO SHIELD® Antimicrobial for ODOR PROTECTION!

Disposers are treated with an antimicrobial agent molded inside providing protection against odor causing bacteria growth.



### TORQUE MASTER®

**Balanced Grinding System:**  
A combination of computer designed and balanced components working in unison to provide superior torque grind speed and long system life.

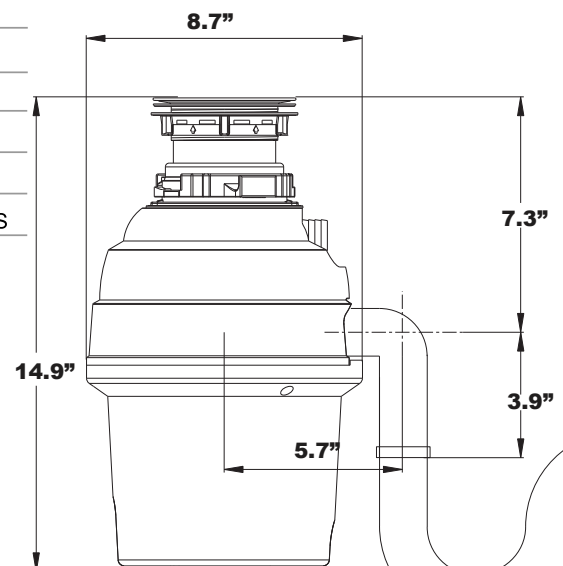
<b>HORSEPOWER</b>	3/4 HP
<b>MOTOR SPEED RPM</b>	2700 RPM
<b>VOLTAGE</b>	120v
<b>AMPS</b>	6
<b>CYCLES</b>	60
<b>BEARINGS</b>	Permanently Lubricated, Sleeve Type
<b>MOTOR TYPE</b>	Permanent Magnet
<b>SPLASH GUARD</b>	Removable
<b>GRIND RING</b>	Stainless Steel
<b>SWIVEL IMPELLERS</b>	Cast Stainless Steel
<b>BALANCED TURNTABLE</b>	Stainless Steel
<b>BALANCED ARMATURE SHAFT</b>	Yes
<b>HOPPER</b>	Corrosion Proof
<b>DRAIN HOUSING</b>	Corrosion Proof
<b>APPLIANCE PROTECTOR</b>	Manual Reset
<b>SINK FLANGE CAP</b>	Stainless Steel
<b>MOUNT ASSEMBLY</b>	Speed Master-Threaded
<b>SOUND SHELL</b>	Full
<b>ATTACHED POWER CORD</b>	Yes
<b>DISHWASHER CONNECTION</b>	Yes
<b>UNIT WEIGHT</b>	13.8 lb
<b>INDIVIDUAL SHIPPING WEIGHT</b>	15 lb
<b>LIFETIME CORROSION GUARANTEE</b>	Yes
<b>WARRANTY</b>	10 YEARS



### Silver Guard®

Powerful magnetic ring that captures most metal objects before they enter into the disposer chamber. This protective feature helps prevent damage to valuable cutlery. It also helps prevent damage to the disposer as well as expensive repairs caused by metal objects falling into the disposer.

### Dimensions



Joneca Company, LLC

4332 E. La Palma Avenue, Anaheim, California 92807  
Telephone: 714.993.5997 Fax: 714.993.2126 Toll Free 1-888-8Joneca  
Website: [www.Joneca.com](http://www.Joneca.com) Email: [ContactUs@Joneca.com](mailto:ContactUs@Joneca.com)

©2017 Joneca Company, LLC, All Rights Reserved.

SS-959-211

# WasteMaid®

FOOD WASTE DISPOSER

# PRO

LARGEST HORSEPOWER AVAILABLE!

# 1059

1 ¼ HORSEPOWER



### Easy and Fast to Install

Speed Master Mounting System provides fast and economical installation.

### Corrosion Proof

Lifetime warranty against failure due to corrosion.

### Permanent Magnet Motor

Maximum torque instantly with the power to cut through potential jams.

### Removable Splash Guard

Removable splash guard, ideal for easy cleaning and replacement.

### Attached Power Cord

Ready to plug in.



### BIO SHIELD® Antimicrobial for ODOR PROTECTION!

Disposers are treated with an antimicrobial agent molded inside providing protection against odor causing bacteria growth.



### TORQUE MASTER®

#### Balanced Grinding System:

A combination of computer designed and balanced components working in unison to provide superior torque grind speed and long system life.

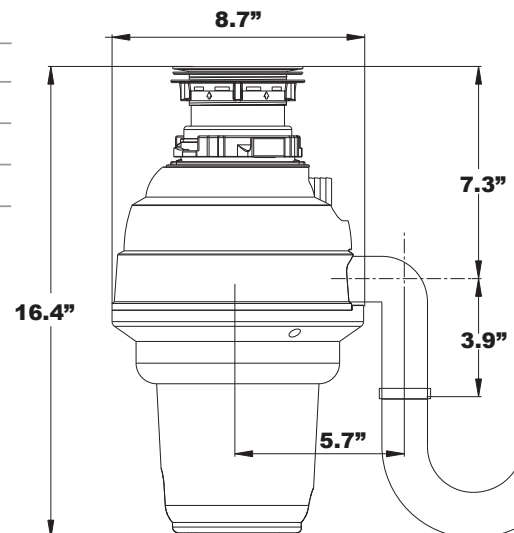
<b>HORSEPOWER</b>	1 ¼ HP
<b>MOTOR SPEED RPM</b>	2800 RPM
<b>VOLTAGE</b>	120v
<b>AMPS</b>	7.5
<b>CYCLES</b>	60
<b>BEARINGS</b>	Permanently Lubricated, Sleeve Type
<b>MOTOR TYPE</b>	Permanent Magnet
<b>SPLASH GUARD</b>	Removable
<b>GRIND RING</b>	Stainless Steel
<b>SWIVEL IMPELLERS</b>	Cast Stainless Steel
<b>BALANCED TURNTABLE</b>	Stainless Steel
<b>BALANCED ARMATURE SHAFT</b>	Yes
<b>HOPPER</b>	Corrosion Proof
<b>DRAIN HOUSING</b>	Corrosion Proof
<b>APPLIANCE PROTECTOR</b>	Manual Reset
<b>SINK FLANGE CAP</b>	Stainless Steel
<b>MOUNT ASSEMBLY</b>	Speed Master-Threaded
<b>SOUND SHELL</b>	Full
<b>ATTACHED POWER CORD</b>	Yes
<b>DISHWASHER CONNECTION</b>	Yes
<b>UNIT WEIGHT</b>	15.6 lb
<b>INDIVIDUAL SHIPPING WEIGHT</b>	17 lb
<b>LIFETIME CORROSION GUARANTEE</b>	Yes
<b>WARRANTY</b>	12 YEARS



### Silver Guard®

Powerful magnetic ring that captures most metal objects before they enter into the disposer chamber. This protective feature helps prevent damage to valuable cutlery. It also helps prevent damage to the disposer as well as expensive repairs caused by metal objects falling into the disposer.

### Dimensions



Joneca Company, LLC

4332 E. La Palma Avenue, Anaheim, California 92807  
Telephone: 714.993.5997 Fax: 714.993.2126 Toll Free 1-888-8Joneca  
Website: [www.Joneca.com](http://www.Joneca.com) Email: [ContactUs@Joneca.com](mailto:ContactUs@Joneca.com)

©2017 Joneca Company, LLC, All Rights Reserved.

SS-1059-212

# WasteAid®

FOOD WASTE DISPOSER

# PRO

# 959-BF

3/4 HORSEPOWER



## BATCH FEED

### Operation

Batch Feed disposers utilize a stopper/actuator which makes operation safer and quieter, eliminating the need for an outside on/off switch.

### Easy and Fast to Install

Speed Master Mounting System provides fast and economical installation.

### Corrosion Proof

Lifetime warranty against failure due to corrosion.

### Permanent Magnet Motor

Maximum torque instantly with the power to cut through potential jams.

### Attached Power Cord

Ready to plug in.



### BIO SHIELD® Antimicrobial for ODOR PROTECTION!

Disposers are treated with an antimicrobial agent molded inside providing protection against odor causing bacteria growth.

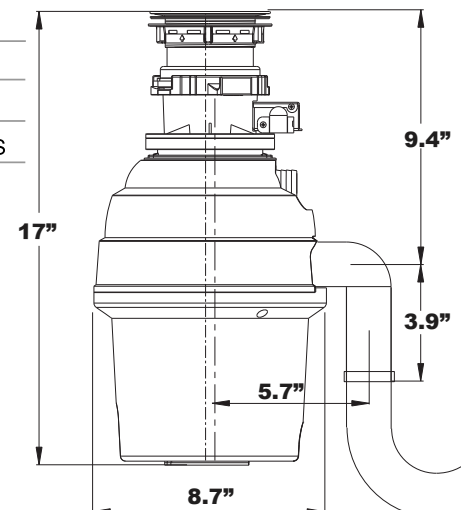


### TORQUE MASTER®

**Balanced Grinding System:**  
A combination of computer designed and balanced components working in unison to provide superior torque grind speed and long system life.

<b>HORSEPOWER</b>	3/4 HP
<b>MOTOR SPEED RPM</b>	2700 RPM
<b>VOLTAGE</b>	120v
<b>AMPS</b>	6
<b>CYCLES</b>	60
<b>BEARINGS</b>	Permanently Lubricated, Sleeve Type
<b>MOTOR TYPE</b>	Permanent Magnet
<b>GRIND RING</b>	Stainless Steel
<b>SWIVEL IMPELLERS</b>	Stamped Stainless Steel
<b>BALANCED TURNTABLE</b>	Stainless Steel
<b>BALANCED ARMATURE SHAFT</b>	Yes
<b>HOPPER</b>	Corrosion Proof
<b>DRAIN HOUSING</b>	Corrosion Proof
<b>APPLIANCE PROTECTOR</b>	Manual Reset
<b>SINK FLANGE CAP</b>	Stainless Steel
<b>MOUNT ASSEMBLY</b>	Speed Master-Threaded
<b>SOUND SHELL</b>	Full
<b>ATTACHED POWER CORD</b>	Yes
<b>DISHWASHER CONNECTION</b>	Yes
<b>UNIT WEIGHT</b>	14.4 lb
<b>INDIVIDUAL SHIPPING WEIGHT</b>	16 lb
<b>LIFETIME CORROSION GUARANTEE</b>	Yes
<b>WARRANTY</b>	10 YEARS

### Dimensions



Joneca Company, LLC

4332 E. La Palma Avenue, Anaheim, California 92807  
Telephone: 714.993.5997 Fax: 714.993.2126 Toll Free 1-888-8Joneca  
Website: [www.Joneca.com](http://www.Joneca.com) Email: [ContactUs@Joneca.com](mailto:ContactUs@Joneca.com)

©2017 Joneca Company, LLC, All Rights Reserved.

SS-959BF-211