

WasteAid®

FOOD WASTE DISPOSER

PRO

959-BF

3/4 HORSEPOWER



BATCH FEED

Operation

Batch Feed disposers utilize a stopper/actuator which makes operation safer and quieter, eliminating the need for an outside on/off switch.

Easy and Fast to Install

Speed Master Mounting System provides fast and economical installation.

Corrosion Proof

Lifetime warranty against failure due to corrosion.

Permanent Magnet Motor

Maximum torque instantly with the power to cut through potential jams.

Attached Power Cord

Ready to plug in.



BIO SHIELD® Antimicrobial for ODOR PROTECTION!

Disposers are treated with an antimicrobial agent molded inside providing protection against odor causing bacteria growth.



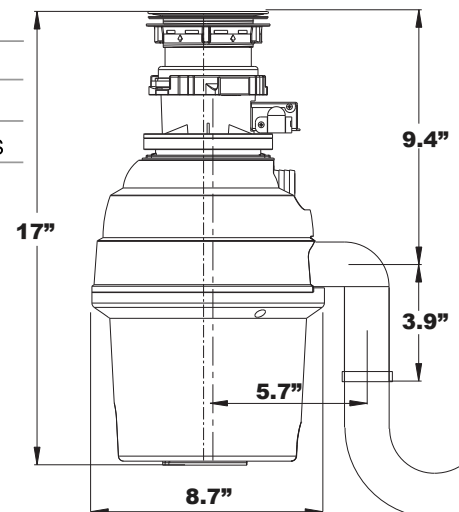
TORQUE MASTER®

Balanced Grinding System:

A combination of computer designed and balanced components working in unison to provide superior torque grind speed and long system life.

HORSEPOWER	3/4 HP
MOTOR SPEED RPM	2700 RPM
VOLTAGE	120v
AMPS	6
CYCLES	60
BEARINGS	Permanently Lubricated, Sleeve Type
MOTOR TYPE	Permanent Magnet
GRIND RING	Stainless Steel
SWIVEL IMPELLERS	Stamped Stainless Steel
BALANCED TURNTABLE	Stainless Steel
BALANCED ARMATURE SHAFT	Yes
HOPPER	Corrosion Proof
DRAIN HOUSING	Corrosion Proof
APPLIANCE PROTECTOR	Manual Reset
SINK FLANGE CAP	Stainless Steel
MOUNT ASSEMBLY	Speed Master-Threaded
SOUND SHELL	Full
ATTACHED POWER CORD	Yes
DISHWASHER CONNECTION	Yes
UNIT WEIGHT	14.4 lb
INDIVIDUAL SHIPPING WEIGHT	16 lb
LIFETIME CORROSION GUARANTEE	Yes
WARRANTY	10 YEARS

Dimensions



Joneca Company, LLC

4332 E. La Palma Avenue, Anaheim, California 92807
Telephone: 714.993.5997 Fax: 714.993.2126 Toll Free 1-888-8Joneca
Website: www.Joneca.com Email: ContactUs@Joneca.com

©2017 Joneca Company, LLC, All Rights Reserved.

SS-959BF-211